

1

2

3

4

5

6

A

B

C

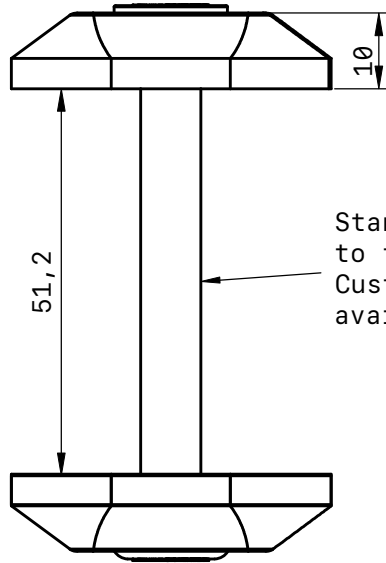
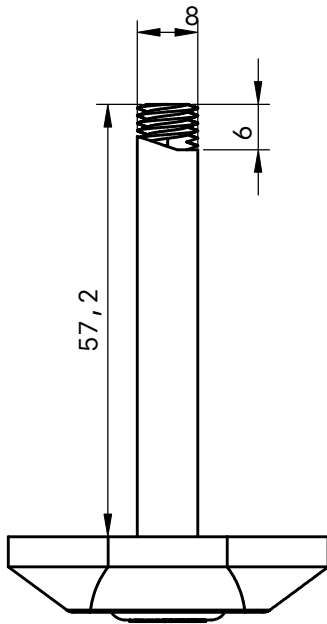
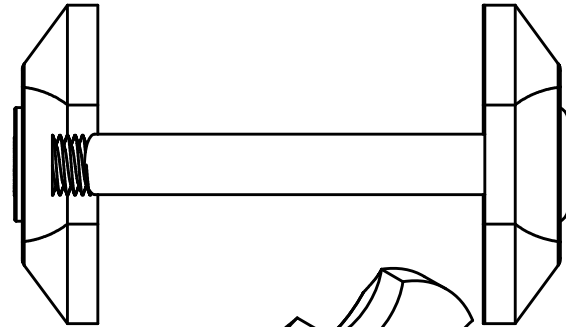
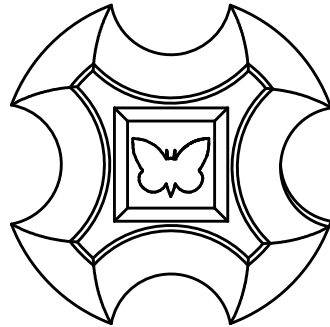
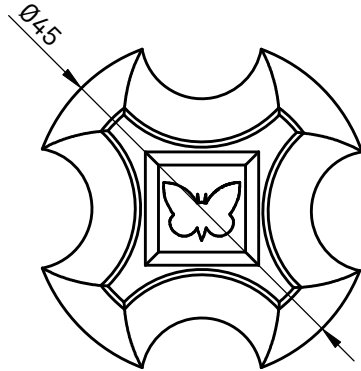
D

A

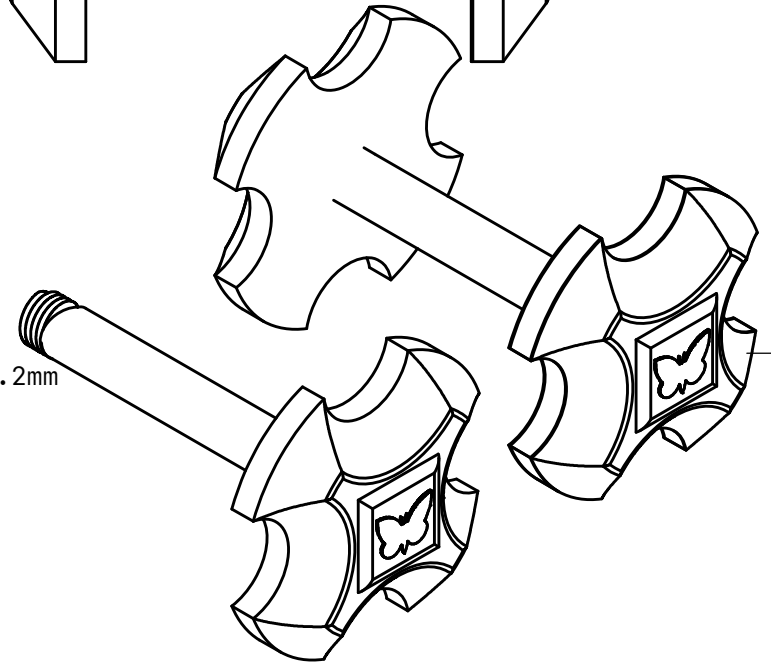
B


C

D



Standard lenght 50.0-51.2mm
to fit CST boom.
Customizations
available upon request.



TITLE		
Quick connection pin		
LAST UPDATED	UNITS	SHEET
08/22/21	mm	1 / 1
FIRST ANGLE PROJECTION	SCALE	SIZE
	1:1	A4

1

2

3

4

5

6